

MANITRANSIT TMT 2525

Rough terrain telescopic truck-mounted forklift

- Maximum capacity 2500 kg
- Dedicated to poultry containers handling



TMT 2525



CAPACITY

Maximum Capacity2500 kg



LIFTING

Maximum lifting height3330 mm

Maximum front reach1150 mm

Side-shift.....150 mm



ENGINE / TRANSMISSION

TypePERKINS (50 HP)

Hydrostatic transmission

Driving wheels3



TYRES

Front tyres10X16,5 10PR

Rear tyre.....10X16,5 10PR



DIMENSIONS

Width2302 mm

Height2208 mm

Overhang (in transport position)1400 mm

Weight (without equipment)2462 kg

IN STANDARD

ROPS/FOPS Cab + load indicator

Joystick FNR

Waterproof dashboard and electric connections

Differential lock

OPTIONS

Full mounting kit

Load repartition calculation (on request)

rearview mirrors

Rotating beacon

Road lights

Working lights and reversing light

Load backrest

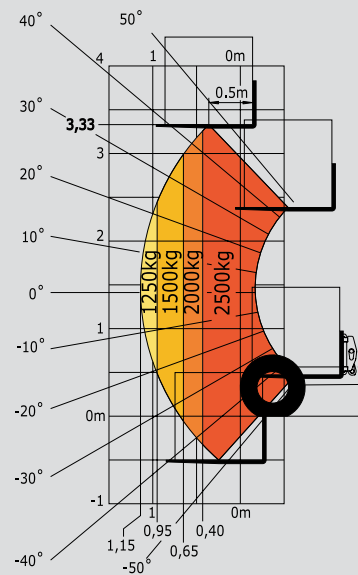
High torque

2 m forks

Stabilisers

Blue or red light

Pre-filter



BOOM



Enables you to offload your lorry with the best visibility ever.

NEW FNR JOYSTICK



This new « boom control » joystick now integrates the « reversing shift » function : the driver can keep one hand on the steering wheel and one hand on this joystick to operate any movement. Time savings and much better driving position.

POWER



With a 50 HP Perkins engine connected to its 3 driving wheels, the TMT 2525 has more power to be at ease on any kind of ground.



This publication in no way constitutes an offer and the company reserves the right to alter specification without prior notice. The MANITOU models presented in this brochure can be supplied complete with optional equipment attachments.

IMPORTANT : All regulations relating to vehicles apply to vehicles equipped with truck-mounted forklifts.

MANITOU BF SA

B.P. 249 - 44158 Ancenis Cedex - France

Tél. : 33 2 40 09 10 11 / Export Department Fax : 33 2 40 09 10 97

www.manitou.com

700313EN - Doc BE 310/Ind. A

