

MANITRANSIT **TMT 2525 S**

Rough terrain telescopic truck-mounted forklift

- Maximum capacity 2500 kg
- Dedicated to poultry containers handling



TMT 2525 S



CAPACITY

Maximum Capacity2500 kg
 (Adaptable on request.....3000 kg)



LIFTING

Maximum lifting height3330 mm
 Maximum front reach1150 mm
 Side-shift.....135 mm



ENGINE / TRANSMISSION

TypePERKINS (50 HP)
 Hydrostatic transmission
 Driving wheels3



TYRES

Front tyres10X16,5 10PR
 Rear tyre.....10X16,5 10PR



DIMENSIONS

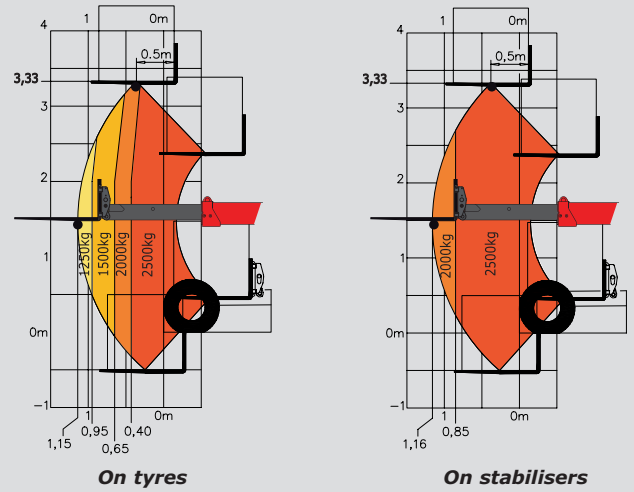
Width2302 mm
 Height2208 mm
 Overhang (in transport position).....1440 mm
 Weight (without equipment)2500 kg

IN STANDARD

ROPS/FOPS Cab + load indicator
 Joystick FNR
 Waterproof dashboard and electric connections
 Stabilisers
 Differential lock
 Anticorrosion treatment by cataphoresis
 coolant of oil

OPTIONS

Full mounting kit
 Load repartition calculation (on request)
 rearview mirrors
 Rotating beacon
 Road lights
 Working lights and reversing light
 Load backrest
 High torque
 2 m forks
 Blue or red light
 Self-cleaning prefilter



BOOM



Easy and economical to maintain, the telescopic boom lets you unload your platform on one side only with excellent visibility, without needing extra accessories

FNR JOYSTICK



This new « boom control » joystick now integrates the « reversing shift » function : the driver can keep one hand on the steering wheel and one hand on this joystick to operate any movement. Time savings and much better driving position.

POWER



With a 50 HP Perkins engine connected to its 3 driving wheels, the TMT 2525 S has more power to be at ease on any kind of ground.



This publication in no way constitutes an offer and the company reserves the right to alter specification without prior notice.
 The MANITOU models presented in this brochure can be supplied complete with optional equipment attachments.
 IMPORTANT : All regulations relating to vehicles apply to vehicles equipped with truck-mounted forklifts.
 Patented design

MANITOU BF SA

B.P. 249 - 44158 Ancenis Cedex - France
 Tel. : 33 2 40 09 10 11 / Export Department Fax : 33 2 40 09 10 97
 www.manitou.com

700313EN-B - 12/07 - Doc BE 310/Ind. A

