

MANISCOPIC

■ MT 1440 A PRIVILEGE



- Working height : 15.40 m
- Maximum forward reach : 11.20 m
- Standard capacity : 1000 kg including 3 people
- Extendable platform from 2.25 m to 4 m adjustable (180°)
- Hydraulic stabilizers
- Frame levelling : $\pm 9^\circ$

 **MANITOU**

MT 1440 A **PRIVILEGE**

Lifting capacity4000 kg
at 500 mm from forks heels.
Capacity with standard platform1000 kg
Tipping load
at maximum reach :
with stabilizers.....1950 kg
Tear out force with bucket
to ISO 83138000 daN

Working height15.40 m
Lifting height13.53 m
Times : unladen / loaded (in s)
Lifting12.5/12.7
Lowering13.5/13.2
Extension boom19.5/20.1
Retraction boom14.5/14
Crowd4.3
Dump4

Tyres.....400/80-24

Forks (mm)
Length1200
Width x thickness125 X 50
Maximum distance between forks1040
Carriage rotation126°

Standard platform (mm)
Capacity.....1000 kg
Length2.25 m - 4 m
Width x height1.20 m X 1.25 m

Multidisc brakes - hydraulically assisted on both axles

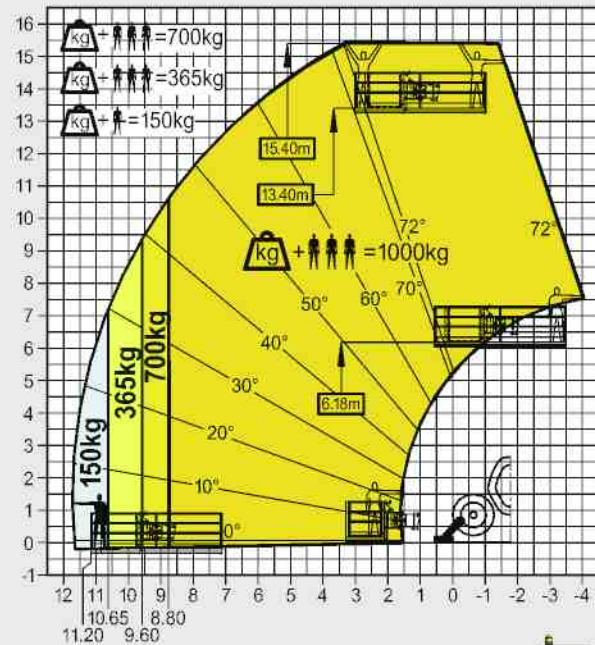
PERKINS Engine
Type1104C.44 T
Capacity4 cylindres - 4400 cm³
Power :
(ISO/TR 14396) ...101 HP/74.5 kW at 2200 rpm
Maximum torque.....413 Nm at 1350 rpm
Direct Injection
Water Cooling

Transmission.....Torque convertor
Electro-hydraulic reversing shift
4 speeds forward and reverse
Maximum travel speed (km/h).....25

Hydraulics
Pump.....gear type
pressure/capacity270 bars/170 l/mn

Capacities
Cooling system20 l.
Engine oil10.9 l.
Hydraulic oil.....135 l.
Transmission oil23 l.
Fuel tank140 l.

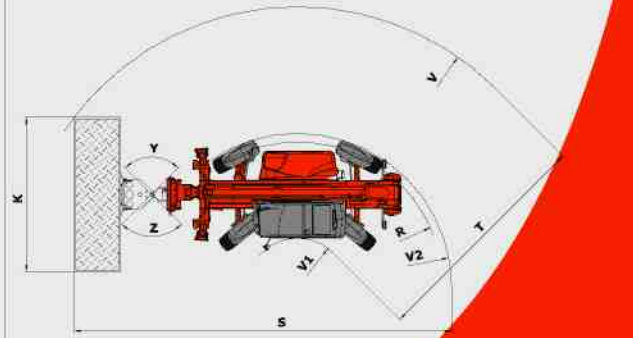
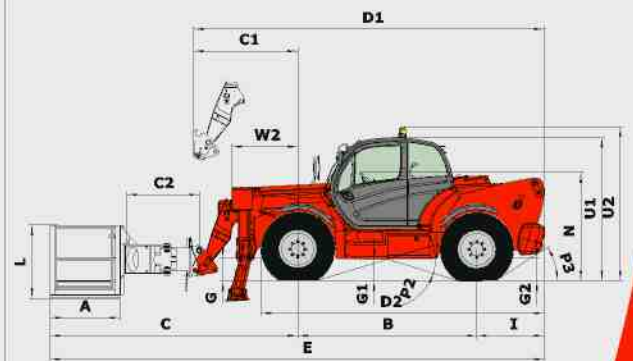
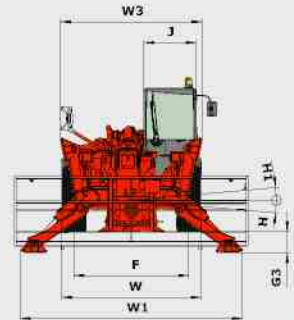
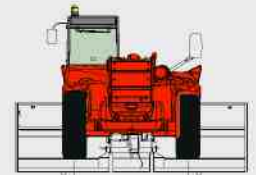
Weight unladen11370 kg
Overall width2.38 m
Overall height2.45 m
Turning radius (outside wheels)3.98 m
Overall Length6.13 m
Ground clearance0.38 m
Drawbar pull10200 daN



Under
EN 1459
annexe B

Options of platform	
Fixed 2 m	
Adjustable 2 m	365 kg including 3 people
Adjustable 2.40 m	
Adjustable and extendable 2.45/5 m	
Adjustable and extendable 2.45/6 m	
Adjustable and extendable 2.25/4 m	1000 kg including 3 people
Roofer Platform	1000 kg including 3 people

A	1200
B	3070
C	4250
C1	1790
C2	927
D1	6020
D2	4829
E	8480
F	1960
F1	1960
G	384
G1	367
G2	380
G3	355
H	9
H1	9
I	1160
J	892
K	2250-4000
L	1255
N	1855
P2	34
P3	33
R	3779
S	9780
T	5992
U1	2452
U2	2640
V	7277
V1	1285
V2	3986
W	2374
W1	3793
W2	1134
W3	2422
Y	90
Z	90



The specifications contained herein shall not bind the manufacturer and are subject to change without notice. This equipment described in this leaflet may be standard, optional, or unavailable, depending on the versions. For more details, contact your MANITOU dealer.