

MANISCOPIC


MT 1435
SL & SLT




- Maximum lifting height : 13.60 m
- Capacity : 3500 kg
- Maximum forward reach : 9.80 m
- Torque convertor
- Hydraulic stabilizers
- Frame levelling


 **MANITOU**


MT 1435 SL/SLT


 **Lifting capacity**3500 kg
 at 500 mm from forks heels.
 Tipping load at maximum reach :1430 kg
 Tear out force with toothed digging bucket
 to ISO 8313-1986 with tilting ram7600 daN


 **Lifting height** :13.60 m
Times : unladen/loaded (in s) Version Turbo
 Lifting10.8/11.3
 Lowering7.6/7.2
 Simultaneous extension 1st and 2nd booms ...16.9/18
 Simultaneous retraction 1st and 2nd booms ...14.5/13.8
 Time unladen (in s)
 Crowd4.2
 Dump3.6


 **Tyres**
 15.5/80-24


 **Forks (mm)**
 Length1200
 Width x thickness125 X 45
 Maximum distance between forks1040
 Carriage rotation124°


 **Multidisc brakes - hydraulically on both axles**

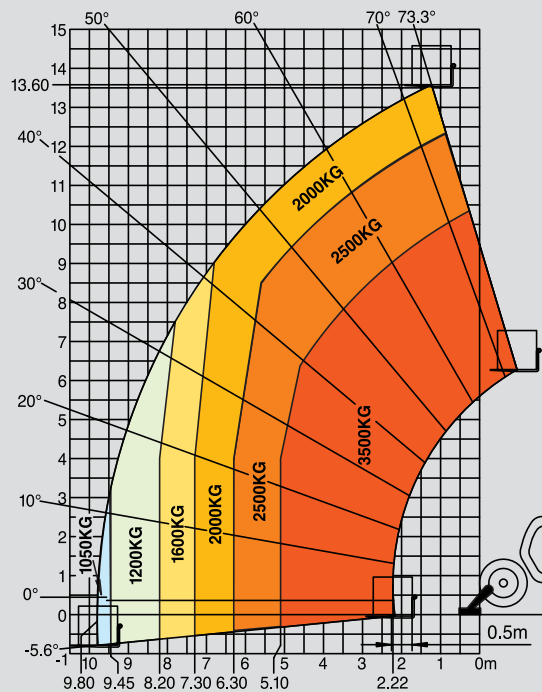
 **PERKINS Engine**
 Type1104C.44/1104C.44 Turbo
 Capacity 4 cylindres - 4400 cm³
 Power (ISO/TR 14396) : Atmo82 HP/61.5 kw
 at 2200 rpm Turbo100 HP/74.5 kw
 Maximum torque : Atmo302 Nm at 1400 rpm
 Turbo412 Nm at 1400 rpm
 Direct Injection
 Water Cooling

 **Transmission**Torque convertor
 Electro-hydraulic reversing shift
 4 speeds forward and reverse
 Maximum travel speed25 km/h

 **Hydraulics**
 Lifting/tilting pump
 gear type : Atmo260 bars/105 l/mn
 Turbo260 bars/163 l/mn
 Flow divider with priority to steering and brakes

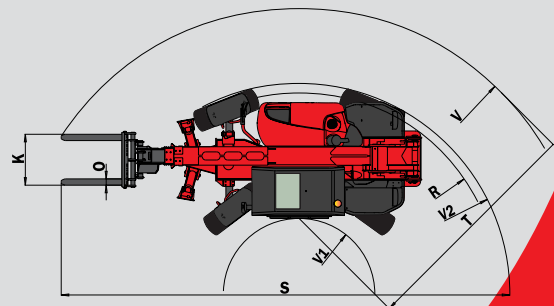
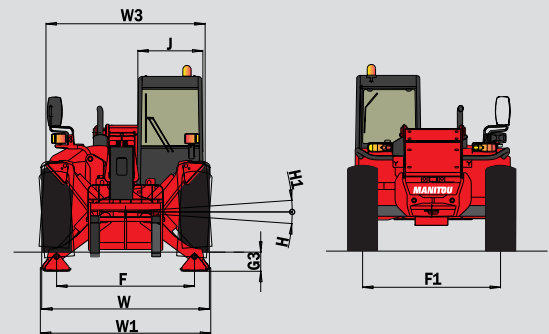
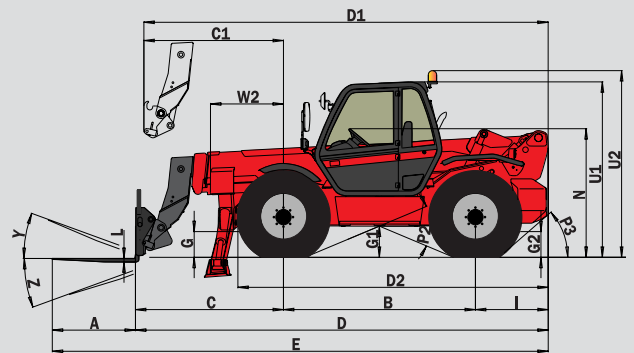
 **Capacities**
 Cooling system18.5 l.
 Engine oil11 l.
 Hydraulic oil120 l.
 Transmission oil15.1 l.
 Fuel tank135 l.

 **Weight unladen (with forks)**10210 kg
Overall width2.33 m
Overall width stabilizers extended2.33 m
Overall height2.58 m
Turning radius (outside wheels)4.16 m
Length up to carriage6.09 m
Ground clearance0.45 m
Drawbar pull7500/8600 daN



Under
 EN 1459
 annexe B

| | |
|----|-------|
| A | 1200 |
| B | 2770 |
| C | 2269 |
| C1 | 2348 |
| D | 6089 |
| D1 | 6168 |
| D2 | 4405 |
| E | 7289 |
| F1 | 1916 |
| G | 450 |
| G1 | 445 |
| G2 | 450 |
| G3 | 275 |
| H | 7° |
| H1 | 7° |
| I | 1050 |
| J | 950 |
| K | 1040 |
| L | 45 |
| N | 1850 |
| O | 125 |
| P2 | 45.5° |
| P3 | 40° |
| R | 3950 |
| S | 9010 |
| T | 4355 |
| U1 | 2575 |
| U2 | 2755 |
| V | 5825 |
| V1 | 1470 |
| V2 | 4157 |
| W | 2330 |
| W1 | 2320 |
| W2 | 1125 |
| W3 | 2035 |
| Y | 12° |
| Z | 112° |



This equipment described in this leaflet may be standard, optional, or unavailable, depending on the versions. For more details, contact your MANITOU dealer.

