


MANISCOPIC


■ MT 523




- Maximum lifting height : 4,97 m
- Capacity : 2300 kg
- Maximum forward reach : 2,82 m
- Hydrostatic transmission


MT 523


 **Lifting capacity**2300 kg
at 500 mm from forks heels.
Tipping load
at maximum reach :1535 kg
Tear out force with bucket
to ISO 8313.....4050 daN


 **Lifting height** :4.97 m
Times : unladen/loaded (in s)
Lifting6/6.7
Lowering4/4
Boom extension.....4.5/4.6
Boom retraction3/2.4
Time unladen (in s)
Crowd2.7
Dump2.3


 **Tyres**
12.0 - 18 T86 12 PR

 **Forks (mm)**
Length.....1200
Width x thickness.....125 x 40


 **Oil bath multidisc brakes**

 **Perkins engine**
Type1103C 33 3/3300 cm³
Power (ISO/TR 14396)58 HP/43 kw
Maximum torque.....222 Nm at 1400 tr/mn
Direct injection
Water cooling

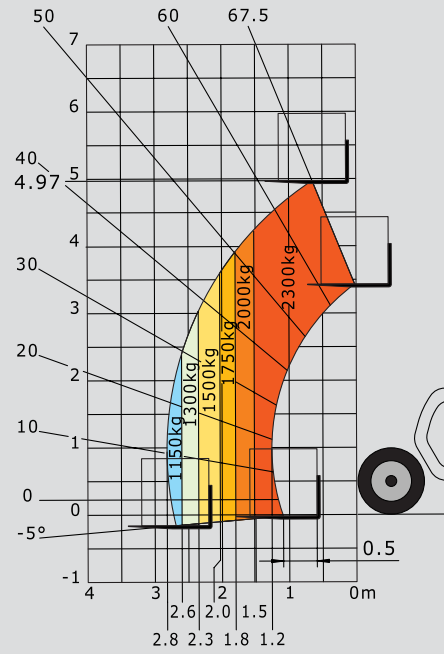
 **Transmission**hydrostatic
Electro - hydraulic reversing shift
One speed forward and reverse

 **Hydraulics**
Lifting/tilting pump :
gear type87 l./mn - 230 bars
Flow divider with priority to steering

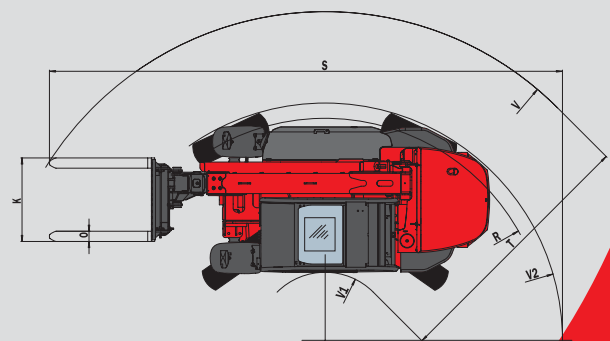
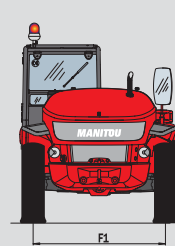
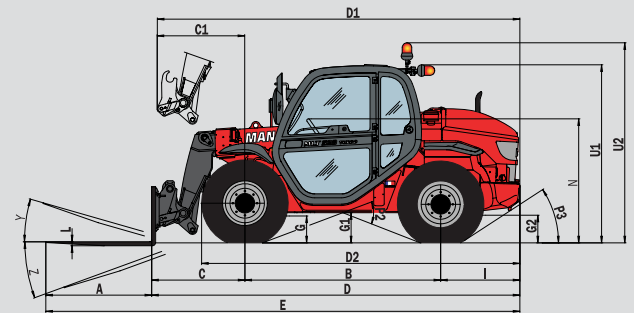
 **Capacities**
Cooling system.....24 l.
Transmission oil.....123 l.
Engine oil6.9 l.
Fuel tank.....94 l.

 **Weight unladen (with forks)**.....5020 kg
Overall width1.81 m
Overall height1.99 m
Turning radius (outside wheels)3.10 m
Length up to carriage.....4.20 m
Ground clearance.....0.30 m
Drawbar pull.....3400 daN

Reach at maximum height : 0,64 m



Under EN 1459 annexe B



	MT 523 Atmo
A	1200
B	2230
C	1066
C1	1005
D	4201
D1	4140
D2	3604
E	5401
F	1500
F1	1500
G	290
G1	335
G2	305
I	905
J	865
K	1040
L	40
N	1390
O	125
P2	39°
P3	31°
R	2875
S	6470
T	3125
U1	1990
U2	2280
V	4130
V1	1005
V2	3090
W	1815
Y	12°
Z	120.2°

(mm)

This publication in no way constitutes an offer and the company reserves the right to alter specification without prior notice.
The MANITOU models presented in this brochure can be supplied complete with optional equipment attachments.

