



TEREX

TH644C

Telehandler

OPERATING WEIGHT	22,080 lbs (10,013 kg)
NET ENGINE POWER	99 hp (73.8 kW)
MAXIMUM LIFT CAPACITY	6,000 lbs (2,722 kg)
MAXIMUM LIFT HEIGHT	44' (13.4 m)



TELEHANDLER TH644C

Specifications

Performance

Operating weight with forks	22,080 lbs (10,013 kg)
Inside/outside turn radius	6' 3"/14' 9" (1.91/4.50 m)
Maximum lifting height	44' (13.4 m)
Reach at maximum height	30" (0.76 m)
Maximum forward reach	27' (8.2 m)
Maximum lift capacity	8,000 lbs (3,629 kg)
Payload at maximum height	6,000 lbs (2,722 kg)
Payload at maximum reach	2,000 lbs (905 kg)

Steering

Power assisted steering
Three steering modes: 2-wheel, 4-wheel coordinated, and 4-wheel crab

Engine

John Deere 4045T (Std.) / Duetz BF4M2012 (Opt.)
4 cylinders turbocharged diesel
Power @ 2,500 rpm Std. 99 hp (73.8 kW) / Opt. 100 hp (74.9 kW)
Tier II Compliant

Transmission

3 Speed Powershift/Torque Converter	
4 wheel drive	
Front axle differential lock	
Maximum speed	17.2 mph (27.7 km/h)

Brakes

Inboard multiple wet disc

Telehandler TH644C

Specifications

Sway Control - Frame Leveling

Circuit isolated cylinders, 10 degrees either side of center

Frame Stabilizer

Twin rear axle lock cylinders

Hydraulic System

Pressure compensated hydraulic system

Variable-displacement axial piston pump

10 Micron filtration

Tank Capacities

Fuel 30 gal (113.6 L)

Hydraulic oil 34 gal (128.7 L)

Tires

1300 x 24-12 ply, calcium chloride solution filled

Forks and Attachment Holder Plate

Length 48" (1,200 mm)

Section 4" x 2" (102 mm x 51 mm)

Operating Cab

Structure conforms to ISO 8471 (ROPS) and ISO 8449 (FOPS)

Optional enclosed cab, heater and air conditioning

Attachments and Fork Options

Cubing tines

Pallet forks 60" & 72" (1.52 & 1.83 m)

Rotating fork frames 48", 60", & 72" (1.22, 1.52, & 1.83 m)

45° Swing fork frames 60" & 72" (1.52 & 1.83 m)

Rubbish bucket 1 yd³ (0.76 m³)

Variable reach truss boom

Quick switch attachment

Auxiliary hydraulic circuit

Dimensions with Boom Retracted and Down

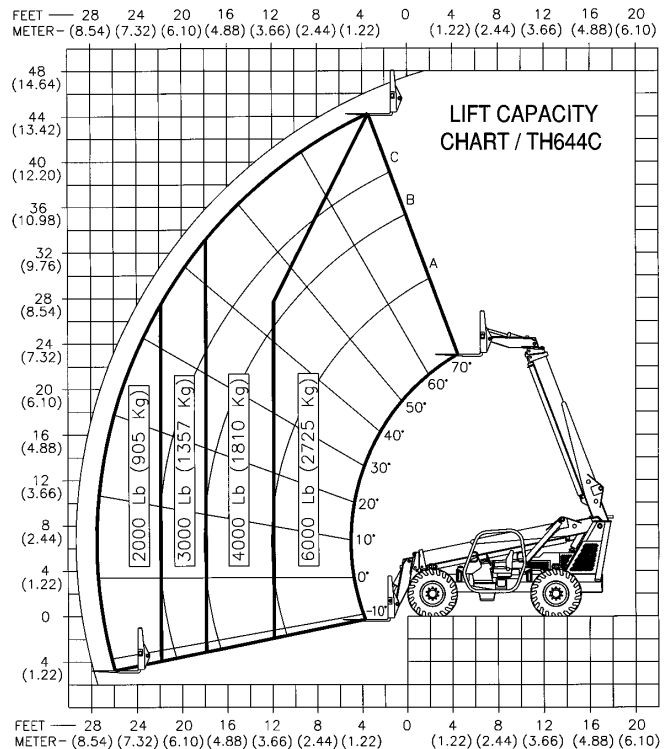
Overall L x W x H 23' 10" x 8' 6" x 8' 11" (7.26 x 2.59 x 2.72 m)

Wheelbase 10' 10" (3.30 m)

Turning radius (outside tire) 14' 9" (4.50 m)

Ground clearance 1' 5" (.43 m)

Working Ranges and Lift Capacities



TEREX Handlers

455 N. Superior Ave. TEL 906-353-3500
 Baraga, MI 49908 SALES 800-906-6174
 USA PARTS & TECH SUPPORT 800-906-6174
 WEB terex.com

For more information, product demonstration, or details on purchase, lease and rental plans, please contact your local TEREX Distributor.