

9030B Excavator



ENGINE

Model..... Case 6T-590
Type 4-stroke, turbocharged
Cylinders..... 6
Bore/Stroke 4.02" x 4.72"
(102 x 120 mm)
Displacement 359 in³ (5.9 L)
Fuel injection..... Direct
Fuel..... Diesel
Fuel filter..... In-line strainer
Air intake Cross-flow
Cooling Liquid
Horsepower per SAE J1349
Net 131 hp (98 kW) @ 2000 rpm
Maximum torque @ 1500 rpm
Net 425 lb-ft (576 N-m)

BOOM/ARM

Boom

Length..... 18'8" (5.7 m)
Boom w/arm cylinder
& plumbing..... 3,722 lb (1688 kg)
Hoist cylinders (2) 394 lb (179 kg) ea
Total weight..... 4,510 lb (2046 kg)

9'10" Arm (3.0 m)

Length..... 9'10" (3.0 m)
Bare arm..... 1,320 lb (599 kg)
Bucket cylinder linkage
& plumbing..... 780 lb (354 kg)
Total arm weight 2,100 lb (953 kg)

7'10" Arm (2.39 m)

Length..... 7'10" (2.39 m)
Bare arm..... 1,160 lb (526 kg)
Bucket cylinder linkage
& plumbing..... 780 lb (354 kg)
Total arm weight.. 1,940 lb (880 kg)

UNDERCARRIAGE

Number of top rollers
Top, each track..... 2
Bottom, each track..... 8
Number of shoes
Triple grouser - each track 49
Link pitch 7.48" (190 mm)

HYDRAULICS

Pumps (2)..... Variable displacement
axial-piston design
Capacity -
Maximum..... 2 x 51.2 gpm
(194 L/min)
Minimum 16 gpm
(2 x 61 L/min)
System relief pressure -
Standard..... 4554 psi (31 400 kPa)
Power Boost.. 4975 psi (34 300 k Pa)
Control valves -
4-spool section for left track travel,
boom #1, bucket #1 & #2, arm #2
5-spool section for right track
travel, boom #2, auxiliary, swing
and arm #1
Boom and arm holding valves

Pilot control hydraulic system -
Pump (1)..... Gear design
Maximum capacity 5.3 gpm
(20.1 L/min)
Relief pressure .. 566 psi (3900 kPa)

Swing -
Motor (1) Fixed displacement
axial-piston design
Speed 0-11.9 rpm
Brake..... Spring-applied
hydraulically released
with dual cushion relief
Tail swing radius 9'2" (2.8 m)

Travel -
Motor (2)..... Three-speed
axial-piston design
Final drive..... Planetary gear
reduction
Drawbar pull.... 41,140 lb (183 kN)

Travel Speeds -
Forward/Reverse
Low 1.4 mph (2.3 km/h)
Medium..... 2.1 mph (3.3 km/h)
High..... 3.4 mph (5.5 km/h)

Travel control valve -
Dual stage relief and counter-
balance design

HYDRAULIC CYLINDERS

Boom cylinders (2) -
Bore diameter..... 4.9" (125 mm)
Rod diameter 3.3" (85 mm)
Stroke 49.6" (1.26 m)
Arm cylinder (1) -
Bore diameter..... 5.3" (135 mm)
Rod diameter 3.9" (100 mm)
Stroke 62.2" (1.58 m)
Bucket cylinder (1) -
Bore diameter..... 4.7" (120 mm)
Rod diameter 3.1" (80 mm)
Stroke 39.8" (1.01 m)

ELECTRICAL

Voltage 24 volts,
negative ground
Alternator..... 45 amp
Batteries (2) Low-maintenance
140 Ah (20 hr rate)

SERVICE CAPACITIES

Hydraulic tank
Refill capacity..... 32 gal (120 L)
Total system 53 gal (200 L)
Final drive (per side) 5 qt (4.7 L)
Swing drive..... 5.3 qt (5 L)
Engine
w/filter change..... 15.1 qt (16 L)
Fuel..... 82 gal (310 L)
Radiator 26.9 qt (25.5 L)

OPERATING WEIGHT

With 9'10" (3.0 m) arm, 32"
(813 mm) track shoes, 1,350 lb
(612 kg) bucket, 175 lb (79 kg)
operator, full fuel and standard
equipment 44,540 lb (20 203 kg)

LIFT CAPACITIES

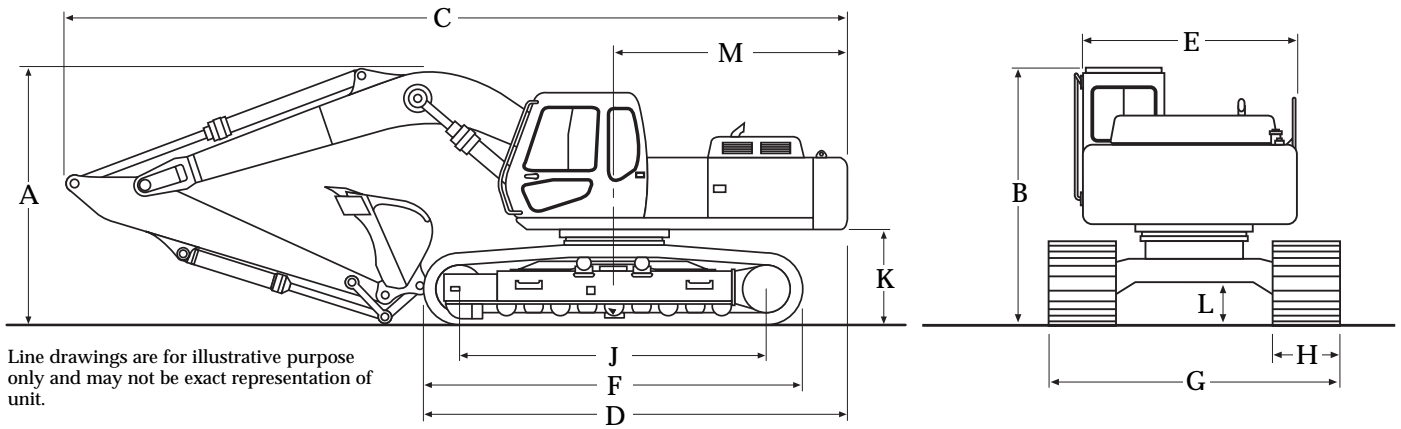
9'10" (3.0 m) Arm Lift capacities calculated using a 1,380 lb (626 kg) bucket, 8,155 lb (3699 kg) counterweight operating in "Fine" Mode

Load (Lift Point) Height	10' (3.05 m)		15' (4.57 m)		20' (6.1 m)		25' (7.62 m)		MAXIMUM REACH		
	END	SIDE	END	SIDE	END	SIDE	END	SIDE	@	END	SIDE
+20' (6.1 m)									28'8"	4,000 lb*	4,000 lb*
									(8.74 m)	(1814 kg)	(1814 kg)
+15' (4.57 m)					10,500 lb*	9,850 lb	9,100 lb*	6,650 lb	30'7"	4,000 lb*	4,000 lb*
					(4763 kg)	(4468 kg)	(4128 kg)	(3016 kg)	(9.32 m)	(1814 kg)	(1814 kg)
+10' (3.05 m)	22,350 lb*	22,350 lb*	15,150 lb*	14,850 lb	12,400 lb*	9,350 lb	10,150 lb	6,400 lb	31'6"	4,100 lb*	4,100 lb*
	(10 138 kg)	(10 138 kg)	(6872 kg)	(6736 kg)	(5625 kg)	(4241 kg)	(4604 kg)	(2903 kg)	(9.60 m)	(1860 kg)	(1860 kg)
+5' (1.52 m)	21,150 lb*	21,150 lb*	19,750 lb*	13,650 lb	14,150 lb	8,750 lb	9,850 lb	6,100 lb	31'6"	4,400 lb*	4,050 lb
	(9593 kg)	(9593 kg)	(8958 kg)	(6192 kg)	(6418 kg)	(3969 kg)	(4468 kg)	(2767 kg)	(9.60 m)	(1996 kg)	(1837 kg)
Ground- line	18,200 lb*	18,200 lb*	22,000 lb	12,800 lb	13,650 lb	8,300 lb	9,550 lb	5,850 lb	30'7"	4,900 lb*	4,200 lb
	(8255 kg)	(8255 kg)	(9979 kg)	(5806 kg)	(6192 kg)	(3765 kg)	(4331 kg)	(2654 kg)	(9.32 m)	(2223 kg)	(1905 kg)
-5' (-1.52 m)	23,500 lb*	23,500 lb*	21,650 lb	12,500 lb	13,350 lb	8,050 lb	9,400 lb	5,700 lb	28'7"	5,750 lb*	4,700 lb
	(10 659 kg)	(10 659 kg)	(9820 kg)	(5670 kg)	(6055 kg)	(3651 kg)	(4364 kg)	(2585 kg)	(8.71 m)	(2608 kg)	(2132 kg)
-10' (-3.05 m)	31,550 lb*	25,350 lb	21,700 lb	12,550 lb	13,300 lb	8,050 lb	9,450 lb	5,750 lb	25'4"	7,250 lb*	5,800 lb
	(14 311 kg)	(11 499 kg)	(9843 kg)	(5693 kg)	(6033 kg)	(3651 kg)	(4286 kg)	(2608 kg)	(7.72 m)	(3289 kg)	(2630 kg)
-15' (-4.57 m)	29,900 lb*	25,950 lb	20,450 lb*	12,850 lb	13,600 lb	8,250 lb			19'11"	8,600 lb*	8,600 lb*
	(13 562 kg)	(11 771 kg)	(9276 kg)	(5829 kg)	(6169 kg)	(3742 kg)			(6.07 m)	(3901 kg)	(3901 kg)

7'10" (2.39 m) Arm Lift capacities calculated using a 1,475 lb (669 kg) bucket, 8,155 lb (3699 kg) counterweight operating in "Fine" Mode

Load (Lift Point) Height	10' (3.05 m)		15' (4.57 m)		20' (6.1 m)		25' (7.62 m)		MAXIMUM REACH		
	END	SIDE	END	SIDE	END	SIDE	END	SIDE	@	END	SIDE
+20' (6.1 m)					10,700 lb*	9,900 lb			26'8"	6,050 lb*	5,950 lb
					(4853 kg)	(4491 kg)			(8.13 m)	(2744 kg)	(2699 kg)
+15' (4.57 m)					11,700 lb*	9,650 lb	9,350 lb*	6,450 lb	28'10"	6,000 lb*	5,000 lb
					(5307 kg)	(4377 kg)	(4241 kg)	(2926 kg)	(8.79 m)	(2722 kg)	(2268 kg)
+10' (3.05 m)	26,000 lb*	26,000 lb*	16,950 lb*	14,450 lb	13,500 lb*	9,150 lb	10,000 lb	6,300 lb	29'9"	6,150 lb*	4,600 lb
	(11 793 kg)	(11 839 kg)	(7688 kg)	(6554 kg)	(6124 kg)	(4150 kg)	(4536 kg)	(2858 kg)	(9.07 m)	(2790 kg)	(2087 kg)
+5' (1.52 m)			21,600 lb*	13,300 lb	13,950 lb	8,600 lb	9,750 lb	6,050 lb	29'9"	6,550 lb*	4,500 lb
			(9798 kg)	(6033 kg)	(6328 kg)	(3901 kg)	(4423 kg)	(2744 kg)	(9.07 m)	(2971 kg)	(2041 kg)
Ground- line	16,850 lb*	16,850 lb*	21,800 lb	12,650 lb	13,550 lb	8,250 lb	9,550 lb	5,850 lb	28'9"	7,200 lb*	4,700 lb
	(7643 kg)	(7643 kg)	(9888 kg)	(5738 kg)	(6146 kg)	(3742 kg)	(4332 kg)	(2654 kg)	(8.76 m)	(3266 kg)	(2132 kg)
-5' (-1.52 m)	23,850 lb*	23,850 lb*	21,650 lb	12,550 lb	13,550 lb	8,050 lb	9,450 lb	5,750 lb	26'8"	8,400 lb*	5,300 lb
	(10 818 kg)	(10 818 kg)	(9820 kg)	(5693 kg)	(6146 kg)	(3651 kg)	(4286 kg)	(2608 kg)	(8.13 m)	(3810 kg)	(2404 kg)
-10' (-3.05 m)	32,450 lb*	25,650 lb	21,850 lb	12,700 lb	13,450 lb	8,150 lb			23'0"	10,600 lb*	6,850 lb
	(14 719 kg)	(11 635 kg)	(9911 kg)	(5761 kg)	(6101 kg)	(3697 kg)			(7.01 m)	(4804 kg)	(3107 kg)
-15' (-4.57 m)	26,500 lb*	25,900 lb	18,550 lb*	13,150 lb							
	(12 020 kg)	(11 748 kg)	(8414 kg)	(5965 kg)							

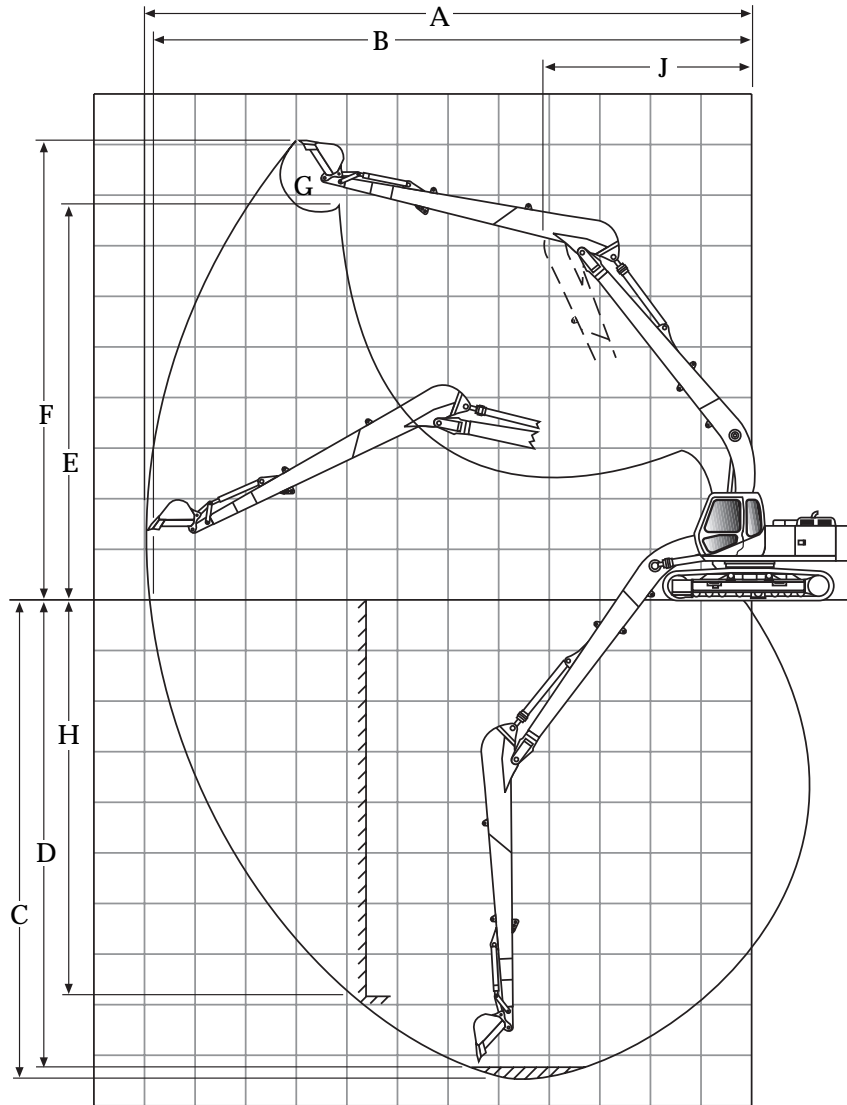
NOTE: *Lift capacities do not exceed 75% of the minimum tipping load or 87% of the hydraulic lift capacity. Capacities that are marked with an asterisk are hydraulic limited.



DIMENSIONS

	9'10" (3.0 m) Arm	7'10" (2.39 m) Arm
A. Overall height	9'7" (2.93 m)	10'0" (3.06 m)
B. Cab height	9'7" (2.93 m)	9'7" (2.93 m)
C. Overall length	31'0" (9.44 m)	31'4" (9.56 m)
D. w/o attachment	16'5" (5.0 m)	16'5" (5.0 m)
E. Width of upperstructure	8'2" (2.5 m)	8'2" (2.5 m)
F. Track overall length	14'8" (4.47 m)	14'8" (4.47 m)
G. Track overall width w/32" (813 mm) shoes	10'6" (3.2 m)	10'6" (3.2 m)
H. Track shoe width	32" (813 mm)	32" (813 mm)
J. Center to center (idler to sprocket)	12'0" (3.66 m)	12'0" (3.66 m)
K. Upperstructure ground clearance	3'5" (1.04 m)	3'5" (1.04 m)
L. Minimum ground clearance	18" (457 mm)	18" (457 mm)
M. Tail swing radius	9'2" (2.8 m)	9'2" (2.8 m)
Working weight*	44,540 lb (20 203 kg)	44,540 lb (20 203 kg)
Ground pressure	4.5 psi (31 kPa)	4.5 psi (31 kPa)

*With 32" (813 mm) track shoe, 1,350 lb (612 kg) bucket, 175 lb (79 kg) operator, full fuel and standard equipment.



PERFORMANCE SPECS

	9'10" (3.0 m) Arm	7'10" (2.39 m) Arm
A. Maximum dig radius	32'8" (9.95 m)	30'11" (9.42 m)
B. Dig radius at groundline	32'1" (9.78 m)	30'4" (9.24 m)
C. Maximum dig depth	21'11" (6.68 m)	20'0" (6.1 m)
D. Dig depth - 8'0" (2.44 m) level bottom	21'5" (6.52 m)	19'4" (5.89 m)
E. Dump height	21'11" (6.68 m)	17'11" (5.46 m)
F. Overall reach height	31'1" (9.47 m)	30'5" (9.26 m)
G. Bucket rotation	183°	183°
H. Vertical straight wall dig depth	19'11" (6.07 m)	17'11" (5.37 m)
J. Minimum swing radius	11'11" (3.64 m)	12'2" (3.71 m)
Arm digging force		
Standard	20,280 lb (90.2 kN)	24,470 lb (108.8 kN)
Power Boost	22,260 lb (99 kN)	26,680 lb (118.7 kN)
Bucket digging force		
Standard	25,580 lb (113.8 kN)	25,580 lb (113.8 kN)
Power Boost	28,000 lb (124.5 kN)	28,000 lb (124.5 kN)

STANDARD EQUIPMENT

OPERATOR'S COMPARTMENT

Cab with Isomount® system
 Adjustable deluxe seat with
 3" (76 mm) retractable seat belt
 Oscillating fan
 Vandal cover
 Front window safety glass
 Heater: 13,500 BTU
 AM/FM Radio
 Roof hatch, skylight
 Sliding Lexan™ windows
 Windshield wiper w/washer

ENGINE

Case 6T-590 turbocharged diesel
 Federal emission certified
 Ether cold start
 Warm up mode
 Selectable one touch or auto
 accelerator/decelerator

ELECTRICAL

Batteries (2)
 Electronic Systems Monitor

HYDRAULICS

ISO pattern pilot controls
 4 Position mode selector:
 H, S, L & F
 Power boost
 2 Variable flow piston pumps
 Auxiliary attachment mode
 Auto pump destroke
 Auxiliary hydraulic valve
 Arm and boom holding valve
 Selectable cushion control
 for boom and arm
 Controlled free swing
 Ultra clean filtration system

UNDERCARRIAGE

Shoes: 32" (813 mm) 3-bar,
 49 per side
 Track length: 14'8" (4.47 m)
 Track gauge: 7'10" (2.39 m)

TRACK DRIVE

3 speed hydrostatic travel
 Disc type parking brakes

UPPERSTRUCTURE

Boom: 18'6" (5.64 m) one piece
 Free swing control
 Hammer adaptable, no reinforcing
 required
 Swing brake

OTHER

Counterweight: 8,155 lb (3699 kg)
 Single key vandal lockup

OPTIONAL EQUIPMENT

OPERATOR'S COMPARTMENT

Air conditioner

UPPERSTRUCTURE

Arm: 9'10" or 7'10"
 (3.0 m or 2.39 m)

HYDRAULICS

Auxiliary hydraulics
 Single acting, one pump
 Double acting, single or dual pump
 (includes heavy duty bucket
 linkage)
 Double acting general purpose
 for use with thumb kit

OTHER

Load holding control devices
 Cylinder mounted
 Case/JRB Slide-Loc® Coupler
 Hydraulic or mechanical

BUCKETS

Application

Width

SAE Heaped Capacity

General purpose.....	24" thru 48" (0.61 m thru 1.22 m)	0.59 yd ³ thru 1.30 yd ³ (0.45 m ³ thru 0.99 m ³)
General purpose high-capacity	24" thru 42" (0.61 m thru 1.07 m)	0.73 yd ³ thru 1.38 yd ³ (0.56 m ³ thru 1.06 m ³)
Heavy-duty.....	24" thru 48" (0.61 m thru 1.22 m)	0.59 yd ³ thru 1.30 yd ³ (0.45 m ³ thru 0.99 m ³)
Heavy-duty high-capacity.....	24" thru 42" (0.61 m thru 1.07 m)	0.73 yd ³ thru 1.38 yd ³ (0.56 m ³ thru 1.06 m ³)
Severe-duty.....	24" thru 36" (0.61 m thru 0.91 m)	0.59 yd ³ thru 0.95 yd ³ (0.45 m ³ thru 0.73 m ³)
Ditch	60" or 72" (1.52 m or 1.83 m).....	0.90 yd ³ or 1.06 yd ³ (0.69 m ³ or 0.81 m ³)

NOTE: All specifications are stated in accordance with SAE Standards or Recommended Practices, where applicable.

Form No. - CE 230-07-99
Replaces Form No. - None



IMPORTANT: Case Corporation reserves the right to change these specifications without notice and without incurring any obligation relating to such change. Case Corporation does not warrant the safety or reliability of attachments from other manufacturers.

Visit Case Corporation on the Web at:
<http://www.casecorp.com>
Printed in U.S.A.

9030B Page 6 of 6

*Slide-Loc is a registered trademark of JRB Company, Inc.

**Lexan is a registered trademark of the General Electric Co.

© 1999 CASE CORPORATION. All Rights Reserved.
CASE is a registered trademark of Case Corporation.

CASE CORPORATION
700 STATE STREET
RACINE, WI 53404 U.S.A.

CASE CANADA CORPORATION
450 SHERMAN AVENUE NORTH
HAMILTON, ON L8N 4C4 CANADA